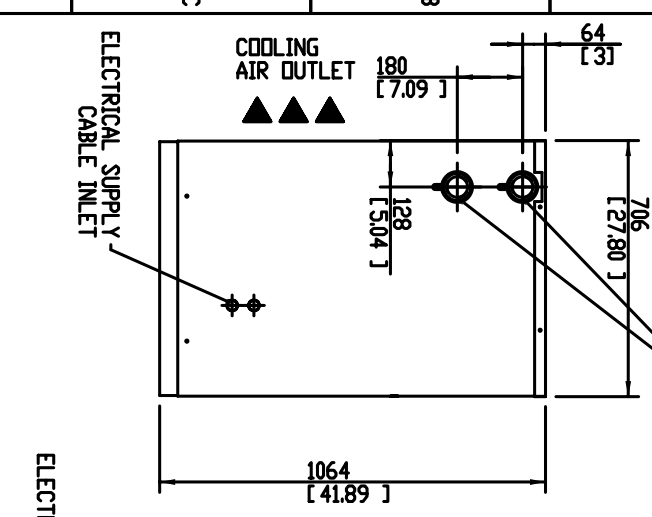
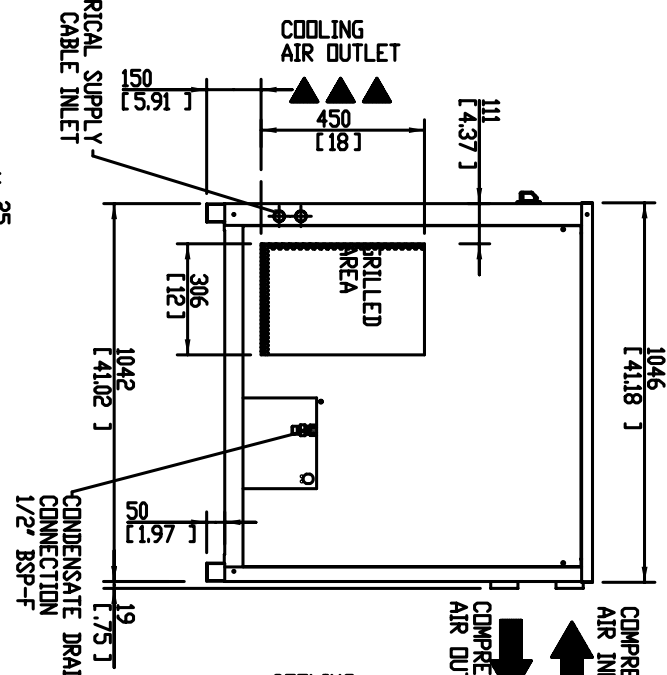


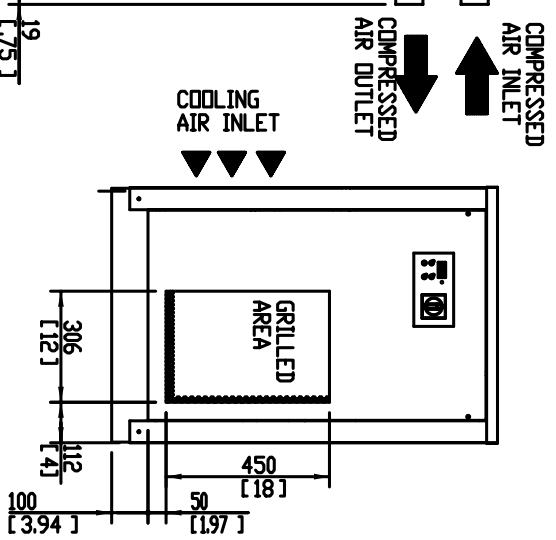
BACK VIEW
 COMPRESSED AIR CONNECTIONS
 2" BSP-F (50Hz version)
 2" NPT-F (60Hz version)



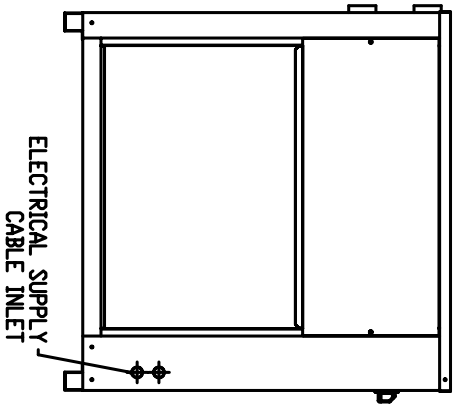
RIGHT VIEW



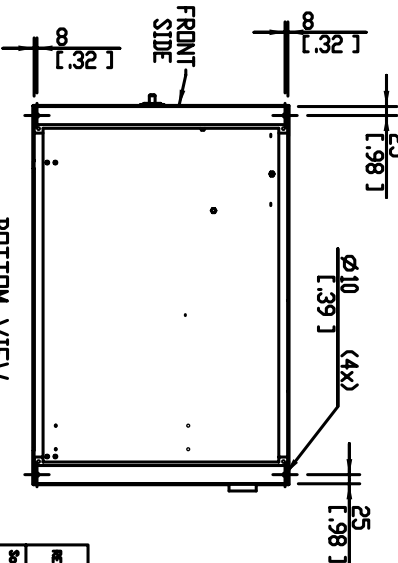
FRONT VIEW



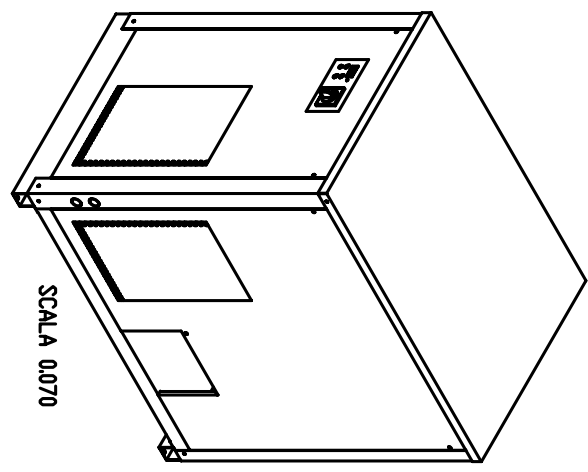
LEFT VIEW



BASE FIXING HOLES POSITION



SCALA 0,070



MODEL	AIR CONNECTION
PST120	2" BSP-F
PST140	2" BSP-F
PST180	2" BSP-F

MODEL	AIR CONNECTION
PST120-130	2" NPT-F
PST140-150	2" NPT-F
PST180-175	2" NPT-F

REV.									
Sostitutore disegno - Ripetitore disegno									
Compressore Air-Trackmatic									
HIROSS									
Manufactured by dowrick - Partner HIROSS SPA Strada Zona Industriale/A Savigliano di Pinerolo 10090 Italy									
HIROSS is a registered trademark owned by Liberty 1988 SPA									
Compressed Air - Trattamento									
Disegno - Disegnato									
BCA180IND0A									
REV. 01									

OVERALL DIMENSIONS
 PST 120/180 50Hz - PST 130/175 60Hz