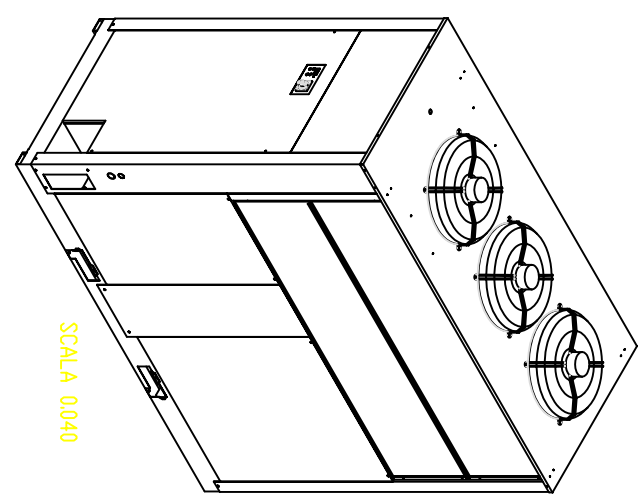
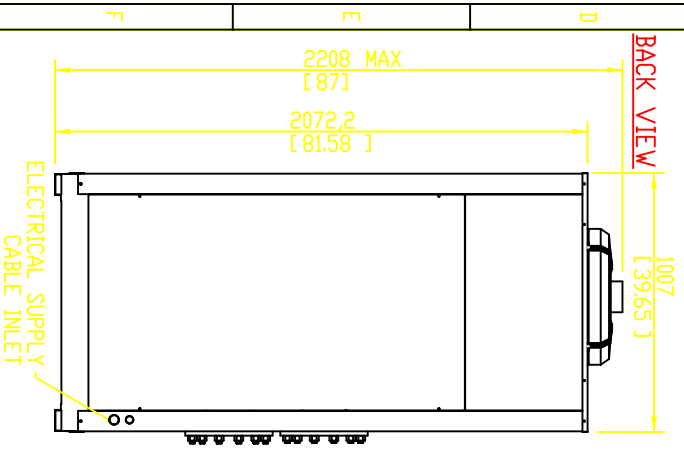


\* BASE FIXING Ø12 HOLES POSITION



MODEL	AIR CONNECTION	MODEL	AIR CONNECTION
PST1500	50Hz version	PST1500-1650	60Hz version
PST1800	UNI PN16-DN200	PST1800-1980	ANSI 8\"/>

REV	DESCRIPTION	DATE	BY	CHECKED
02	CHANGED LIFTING HOLES	05/02/05	PREMIDIN	

Sostituisce disegno - Replaced drawing: 1022  
 Modificata da: 05/02/05  
 Modificata da: PREMIDIN  
 Materiale: DTSANTO  
 Approvato da: DTSANTO  
 Approvato da: DTSANTO  
 Disegnato da: DTSANTO  
 Disegnato da: DTSANTO

**HIROSS**  
 Compressed Air Treatment  
 Manufactured by domnick hunter hiross spa  
 Strada Zona Industriale 4 Sangio di Pione (PD) Italy  
 HIROSS is a registered trademark licensed by United Lines spa  
 Innovazione - Invenzione  
 Overall Dimensions  
 PST1500/1800 50Hz - 1650/1980 60Hz  
 Design - Drawing: BC1A18CIN0A  
 Rev: 02