

# BEKOMAT® 31/32/33

DEFINES TODAY THE STANDARD  
OF THE FUTURE



## EVEN MORE COST-EFFECTIVE, EVEN MORE RELIABLE

BEKO transforms its international experience of more than 25 years into a new BEKOMAT® generation. With innovations that offer unprecedented advantages to our customers.

BEKOMAT® 31/32/33 combines new solutions and significant advances in technology.

Even more reliability, fast and smooth installation, maintenance with minimum time requirements – BEKO achieves these targets through an innovative construction which consists of only two or three units with quick release connectors. This means the new BEKOMAT® can be serviced in seconds, without decoupling from the pipework system.

See for yourself.

BEKOMAT® 31/32/33. The innovation from BEKO.  
Defines today the standard of the future.



**+ 1: FAST INSTALLATION AND MAINTENANCE**

**+ 2: SERVICE UNIT - PROGRESSIVE, SAFE, SIMPLE**

**+ 3: DISCHARGE ACCORDING TO DEMAND- SAVES ENERGY**

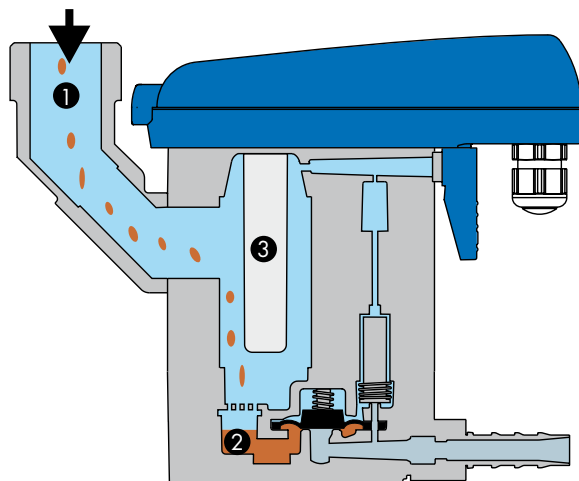
**+ 4: HOUSING MADE OF ALUMINIUM FOR DURABILITY**

**+ 5: SENSOR-CONTROLLED - NOTHING IS MORE RELIABLE**

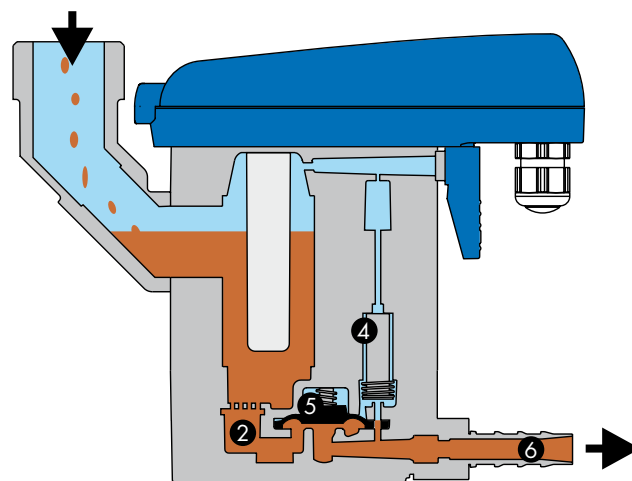


# BEKOMAT® - FUNCTION

## BEKOMAT® 31/32



when empty



when full

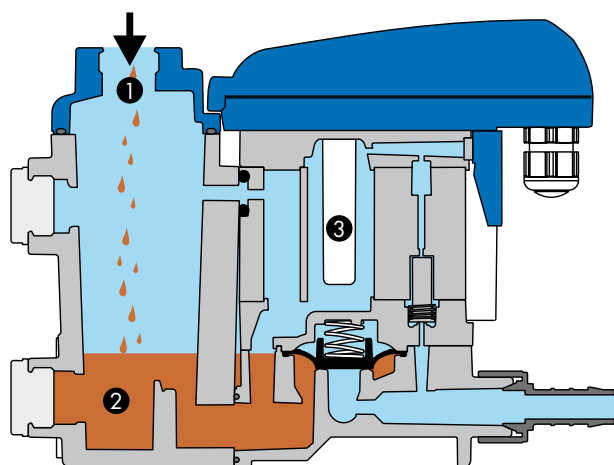
### When empty:

Via the inlet line **1** the condensate flows into the BEKOMAT® and accumulates in the housing **2**. A capacitive sensor **3** continuously registers the filling level and relays a signal to the electronic control as soon as the container is filled.

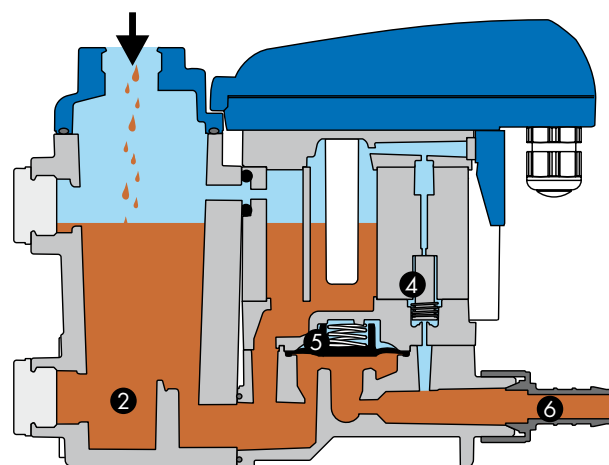
### When full:

The pilot valve **4** is activated and the membrane **5** opens the outlet line **6** to discharge the condensate. When the BEKOMAT® is empty, the outlet line is re-closed tightly in time before unnecessary compressed-air losses occur.

## BEKOMAT® 33



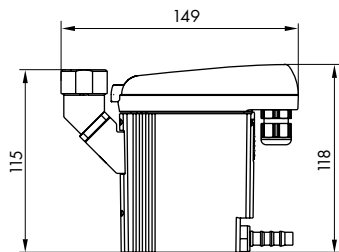
when empty



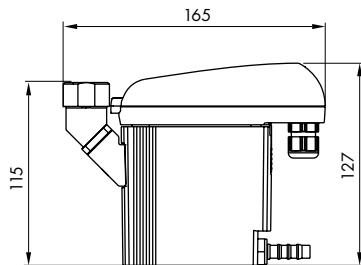
when full

# BEKOMAT® -

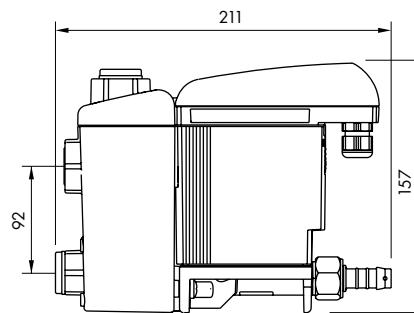
## TECHNICAL DATA



BEKOMAT® 31



BEKOMAT® 32



BEKOMAT® 33

	Operating pressure (bar)		Weight (kg)	Employment	Application Inlet	Connections		max. compressor performance (m³/min)			max. dryer performance (m³/min)			max. filter performance (m³/min)		
	min.	max.				Inlet	Outlet									
						Hose connection	Hose diameter									
BEKOMAT® 31	0.8	16	0.8	a, b	1 x G½	1 x G¼	8–10 mm	3	2.5	1.5	6	5	3	30	25	15
BEKOMAT® 32	0.8	16	1.0	a, b	1 x G½	1 x G¼	8–10 mm	6	5	3.5	12	10	7	60	50	35
BEKOMAT® 33	0.8	16	1.65	a, b	3 x G½	1 x G½	13 mm	12	10	7	24	20	14	120	100	70

Temperature range: +1 to +60 °C

a: oil-contaminated condensate

b: oil-free condensate

You will find more information about the climate zones and the complete BEKOMAT® product line at [www.beko.de](http://www.beko.de)

For region-specific design of the BEKOMAT® condensate drains please refer to the three climate zones:

■ e.g. Northern Europe, Canada, Northern USA, Central Asia

■ e.g. Central and Southern Europe, Central America

■ e.g. South-East Asian coastal regions, Oceania, Amazon and Congo region

### BEKOMAT® 31/32

### BEKOMAT® 33



## BEKOMAT® - INNOVATIVE WITH A SERVICE UNIT

### SERVICE UNIT

Cost-effective: Complete replacement of all wearing- and pressurised parts with just one swift movement.

- No electrical installation required during maintenance works
- No installation of seals or single components
- Only one replacement part, **pressure- and function-tested by the manufacturer**

**The ready-for-use BEKO service unit:  
The simple solution ex factory!**

### SMOOTH INSTALLATION

- Connect electrically only once
- BEKOMAT® 31/32: elbow hose connector for a smooth connection
- BEKOMAT® 33: condensate receiver tank remains in the compressed-air system during maintenance

### OPERATIONALLY RELIABLE

- No unnecessary compressed-air losses
- Condensate housing made of corrosion-resistant aluminium as standard. An important contribution to operational reliability and longevity.
- BEKOMAT® 32/33 with an alarm function and reliable trouble indication

**Quick connection between power supply and service unit**



### Easy maintenance also for BEKOMAT® 33:

Via quick connectors, the service unit can be removed from the power supply and from the condensate receiver tank. The preliminary tank always remains in the compressed-air system.

**BEKO**

**HIGH-QUALITY COMPRESSED AIR**

**BEKOMAT®**

The convincing concept for condensate discharge

**ÖWAMAT®**

Clean and safe oil/water separation.

**BEKOSPLIT®**

Splitting plants for the reliable, economic and environmentally friendly treatment of oil-water emulsions

**CLEARPOINT®**

Flow-optimised, reliable filters and water separators for compressed air and industrial gases

**DRYPOINT®**

Refrigeration dryers, adsorption dryers, membrane dryers

**EVERDRY®**

Compressed air drying for large volume flows

**BEKOKAT®**

Catalytic oil removal.  
The optimum solution for the highest requirements in compressed air treatment

**BEKOBLIZZ®**

Optimised cooling processes using deep-cooled, dry compressed air

**METPOINT®**

For the monitoring, control and optimisation of the compressed-air system

**BEKOFLOW®**

Innovative, cost-reducing compressed air pipe system



**BEKO TECHNOLOGIES GMBH**

Im Taubental 7      Telefon +49 2131 988-0  
41468 Neuss      Telefax +49 2131 988-900  
www.beko.de      beko@beko.de



Subject to technical changes without prior notice. Specifications do not represent physical characteristics in the sense referred to in the German Civil Code

© Registered trademarks of BEKO TECHNOLOGIES GmbH, Neuss, Germany

XP BM00 002  
INT 2009-07